

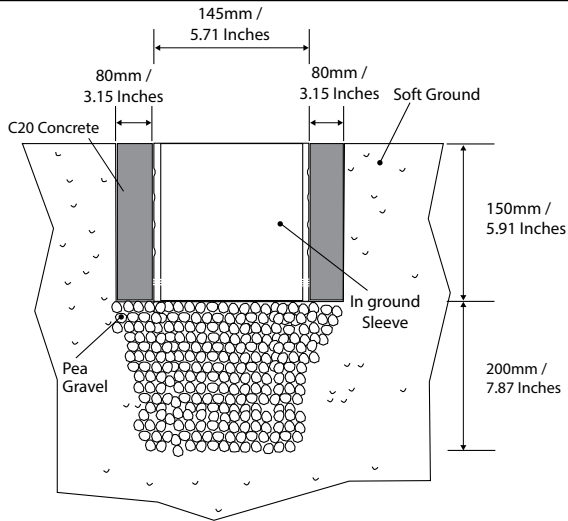
WARNING: 240V



This product must be installed by a qualified electrician in accordance with all national and local electrical and construction codes.
Failure to comply with the installation instructions can result in serious injury or death.



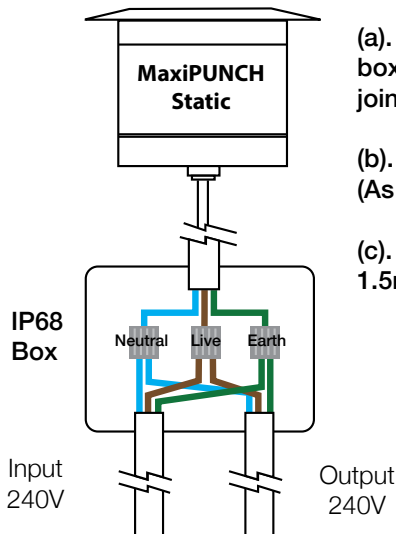
1 Preparing Ground Work



- Prepare ground work. Trench minimum 350mm / 14 Inches deep.
- Fill lower half with pea gravel for drainage.
- Place In ground sleeve flush with ground.
- Add C20 Concrete.

Always prepare 30cm of drainage gravel. Fill the installation sleeve with water and check that it completely drains within 30mins. If not find a further drainage solution.

2 Make connections using IP68 junction box



- Using a IP68 junction box, suitable submersion joint.
- Make connection. (As illustrated)
- Cable type must be 1.5mm sq. Minimum

3 Final fitting

