

6

5

4

3

2

1

D

D

C

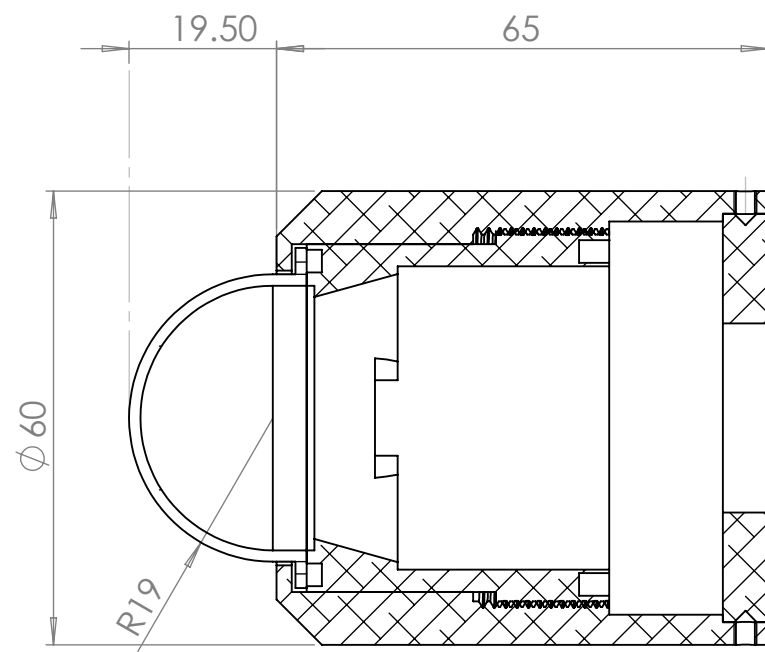
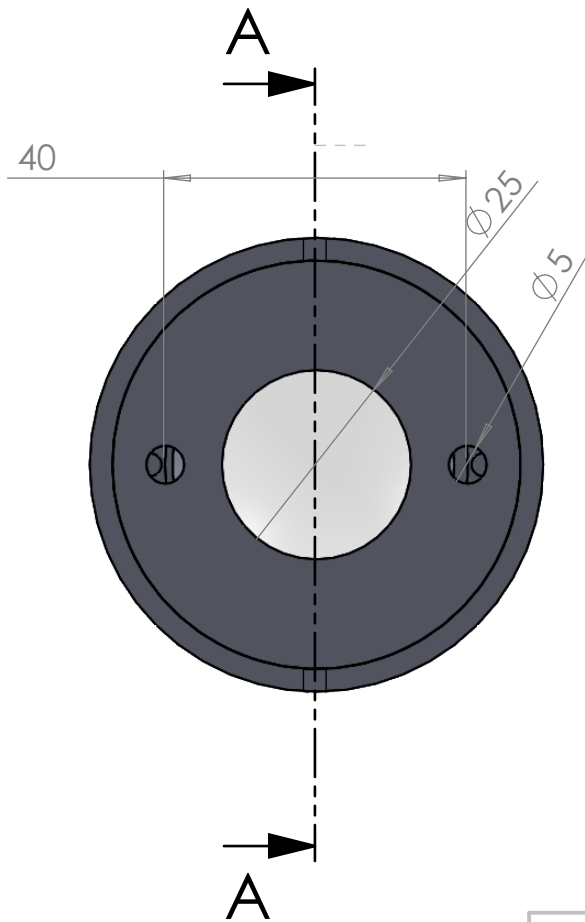
C

B

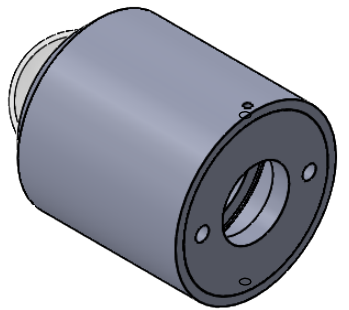
B

A

A



SECTION A-A
SCALE 1 : 1



UNLESS OTHERWISE SPECIFIED: DIMENSIONS ARE IN MILLIMETERS SURFACE FINISH: TOLERANCES: LINEAR: ANGULAR:				FINISH:		DEBURR AND BREAK SHARP EDGES		DO NOT SCALE DRAWING		REVISION	
DRAWN				SIGNATURE		DATE		TITLE:			
CHK'D								MAXI DOT 180			
APPV'D											
MFG								DWG NO.			
Q.A						MATERIAL:		A4			
						WEIGHT:		SCALE:1:2		SHEET 1 OF 1	

6

5

4

3

2

1