

6

5

4

3

2

1

D

D

C

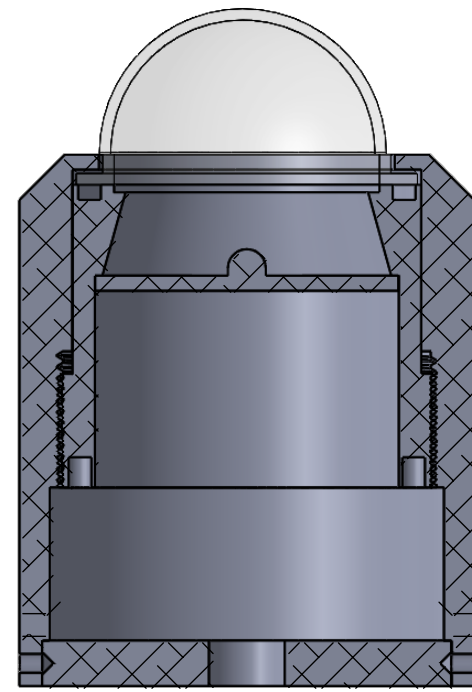
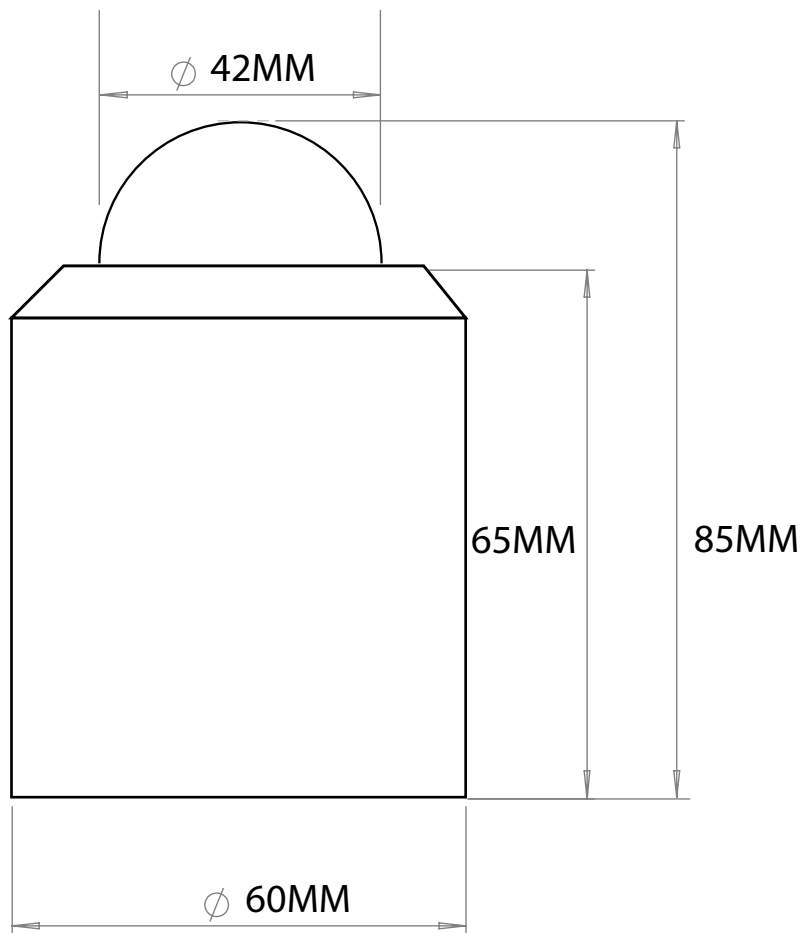
C

B

B

A

A



SECTION A-A

UNLESS OTHERWISE SPECIFIED: DIMENSIONS ARE IN MILLIMETERS SURFACE FINISH: TOLERANCES: LINEAR: ANGULAR:				FINISH:		DEBURR AND BREAK SHARP EDGES		DO NOT SCALE DRAWING		REVISION			
								SCALE 1 : 1					
								TITLE: MaxiDOT 102 180° 85mm					
								DWG NO. MAXI DOT ONE		A4			
								WEIGHT:		SCALE:1:2		SHEET 1 OF 1	
	NAME	SIGNATURE	DATE										
DRAWN													
CHK'D													
APPV'D													
MFG													
Q.A													

6

5

4

3

2

1