



Data over Power distribution  
to the fixtures



2 Core  
Data over Power



DMX RGBW  
Controllable



# MaxiLED Duo

## DMX RGBW controllable



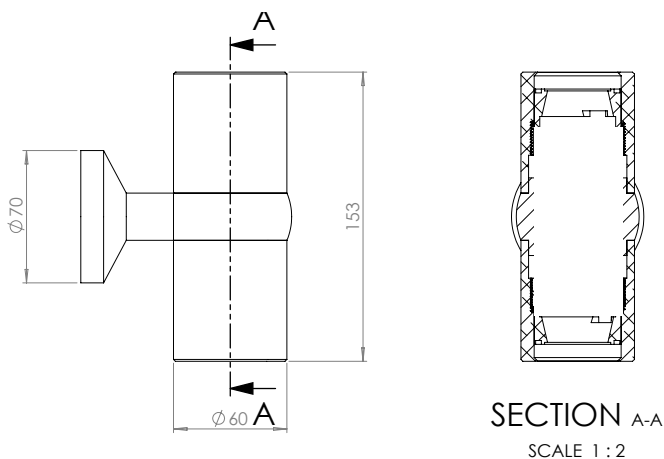
## KEY FEATURES

- DMX RGBW Controllable
- Data over Power - 2 Core cable
- Duo lighting design
- Dimmable
- Multi chip Cree® LED
- 48VAC Data over Power

MaxiLED Duo bridging existing wiring with new DMX RGBW Technology.  
RGBW Multi-chip LED with emits an up and down beam of light.  
DMX Fully controllable fixture bringing saturated and dynamic effects to the aluminum anodised housing.  
Data is sent over power, using our patent pending technology.  
Easily controlled by a range of DMX 512 controllers.



## Dimensions



## Specifications 400mAh

Power:	9.4W
Current:	400mAh
Max Units per System:	25 units

## Lumens

RGBW (Full on):	190 Lumens
Intelligent white (Full on):	300 Lumens
Lumen Maintenance 85%:	90,000 Hrs

## Specifications

Power input:	48VAC Data Over Power MaxiLINK system
Height:	153mm
Width:	70.5mm
Depth:	113mm
Mounting:	Back plate
LED options:	RGBW
LED options:	Intelligent White 2700k - 6500k
Beam Angle:	15°, 25°, 40°, 15°x30°, 80° (no optic)
Housing:	Aluminium Anodised
Connector:	Leader cable in, Leader cable out.
Control:	DMX512
Input Power:	48V
Max Distance from 1st to last fitting:	100 Metres
Max Distance from MaxiLINK to first fitting:	15 Metres @ 1.5mmsq Cable 75 Metres @ 2.5mmsq Cable
Operating Temperature:	-25°c to +50°c (-13°F to +122°F)
Finishes available:	Black Anodised or Silver Anodised
Protection Rating:	IP67
Listings:	UL / cUL (Pending), CE

## MaxiLED Lighting

Unit 2, Farrington Place, Rossendale Road Ind. Est. Burnley, Lancashire. UK. BB11 5TY  
T: +44 (0)845 8732 601 F: +44 (0)845 8732 602  
E: [sales@maxiledlighting.com](mailto:sales@maxiledlighting.com) Web: [www.maxiledlighting.com](http://www.maxiledlighting.com)



# MaxiLED Duo DMX RGBW

## Order Codes

Product		LED	Optic	
MaxiLED Duo	Duo	RGBWW (2700K)	15°	15
		RGBCW (6500K)	25°	25
		IW	40°	40
		2700	80° (No Optic)	80
		3500		
		6500		
<b>EXAMPLE:</b>	Duo	2700		15

### MaxiLED Lighting

Unit 2, Farrington Place, Rossendale Road Ind. Est. Burnley, Lancashire. UK. BB11 5TY  
T: +44 (0)845 8732 601

E: [sales@maxiledlighting.com](mailto:sales@maxiledlighting.com) Web: [www.maxiledlighting.com](http://www.maxiledlighting.com)

# Global Distributors

## Australia:

Light Project Pty Ltd.  
T: +61 3 8415 1970  
E: [info@lightproject.com.au](mailto:info@lightproject.com.au)  
W: [www.lightproject.com.au](http://www.lightproject.com.au)

## Ireland:

Fantasy Lights  
T: +353 1 460 1052  
M: +353 87 927 3566  
E: [sales@fantasylights.com](mailto:sales@fantasylights.com)  
W: [www.fantasylightsgroup.ie](http://www.fantasylightsgroup.ie)

## MENA/GCC Region (Including Turkey & Turkic Republics)

Lightitude  
M +971 04 5588674  
E: [lbastaki@lightitude.com](mailto:lbastaki@lightitude.com)  
W: [www.lightitude.com](http://www.lightitude.com)

## Netherlands:

Q CAT Lighting  
T: +31 (0) 10 415 18 11  
E: [info@qcat.nl](mailto:info@qcat.nl)  
W: [www.qcat.nl](http://www.qcat.nl)

## New Zealand:

Energy Light Ltd.  
T: +64 3 977 2034  
E: [customerservice@energylight.net](mailto:customerservice@energylight.net)  
W: [www.energylight.net](http://www.energylight.net)

## North America:

VLT  
T: +1 949 581 9398  
E: [info@vltcorp.com](mailto:info@vltcorp.com)  
W: [www.vltcorp.com](http://www.vltcorp.com)

## Singapore:

Technolite  
T: +65 6453 1978  
E: [enquiry@technolite.com.sg](mailto:enquiry@technolite.com.sg)  
W: [www.technolite.global](http://www.technolite.global)

## South Africa:

SSLI - Solid State Lighting  
M: +27(0)82 785 3890  
E: [ross\\_blakeway@ssli.com](mailto:ross_blakeway@ssli.com)  
W: [www.ssli.co.za](http://www.ssli.co.za)

## Sweden:

Sweden Stockholm Lighting  
T: +46 721 470 087  
SMS: +46 709 909 110  
E: [oscar@stockholmighting.se](mailto:oscar@stockholmighting.se)

## United Kingdom:

LITE Ltd.  
D: +44 (0)1592 757 202  
M +44 (0)7866 724625  
E: [ian@lite-ltd.co.uk](mailto:ian@lite-ltd.co.uk)  
W: [www.lite-ltd.co.uk](http://www.lite-ltd.co.uk)



Unit 2, Farrington Place, Rossendale Road Ind. Est. Burnley, Lancashire. UK. BB11 5TY  
T: 0845 8732 601 F: 0845 8732 602

E: [sales@maxiledlighting.com](mailto:sales@maxiledlighting.com) Web: [www.maxiledlighting.com](http://www.maxiledlighting.com)