

## KEY FEATURES

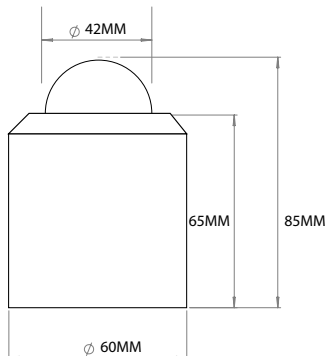
- 512 DMX RGBW Controllable
- IP68
- 180° Viewing angle
- Multi chip Cree® LED
- 48VAC Data over Power 2 wire system

## Product Overview

Our MaxiDOT 102 180° fitting is the perfect solution for most building facades. Delivering 180° viewing not only for marker light applications but for low resolution screen and matrix systems. Manufactured from quality materials and incorporating our Patented 2 wire data over power technology giving full DMX 512 control down the 2 power wires makes it the simplest to install and most cost effective product of its type in the market place today.



MaxiDOT 102 180°



UK Designed and  
Manufactured

Specifications	MaxiDOT 102 180°
<b>Dimming</b>	
DMX512 Dimmable (Data Over power):	YES
DMX 512 refresh rate:	44hz
<b>LED Options</b> (Cree XQE Led's)	
RGBW:	YES
Intelligent white 2700k-6000K:	YES
Single colour DMX:	YES
<b>Lens</b>	
Acrylic frosted dome. 180° viewing	YES
<b>Electrical specification</b>	
Power input:	48VAC Data Over Power MaxiLINK system
LED Current:	200ma
Watts per unit:	4.8w
Max. Units per system	
14 AWG (1.5mm sq) cable:	50
Max distance from 1st to last unit 14 AWG(1.5mm sq) cable:	100m
Lumens RGBW	
Clear Glass (Full On):	150
Lumens Intelligent white (Full On):	250
Lumen Maintenance 85%:	90,000Hrs
<b>System Cable Distances</b>	
Max. 14 AWG (1.5mm sq) cable from MaxiLINK to 1st fitting:	15m
Max. 10 AWG (2.5mm sq) cable from MaxiLINK to 1st fitting:	75m
<b>Protection</b>	
IP Rating:	IP68
Thermal Protection cut out at 70°C:	YES
Operation Temperature:	-25 to +50
<b>Finishes</b>	
MaxiSEAL Silver:	YES
MaxiSEAL Black:	YES
Black Anodised:	YES
Silver Anodised:	YES
RAL Powder Coat:	YES
<b>Listings:</b>	CE
<b>Dimensions &amp; Weights</b>	
Diameter (mm):	60
Depth (mm):	85
Weight KG:	0.4KG

MaxiLED Lighting

Unit 2, Farrington Place, Rossendale Road Ind. Est. Burnley, Lancashire. UK. BB11 5TY  
T: +44 (0)845 8732 601

E: [sales@maxiledlighting.com](mailto:sales@maxiledlighting.com) Web: [www.maxiledlighting.com](http://www.maxiledlighting.com)