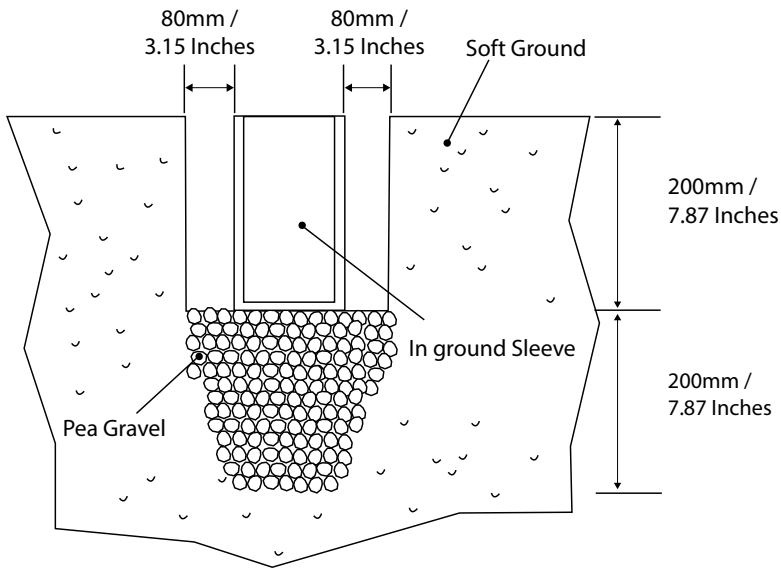




This product must be installed by a qualified electrician in accordance with all national and local electrical and construction codes. Failure to comply with the installation instructions can result in serious injury or death.

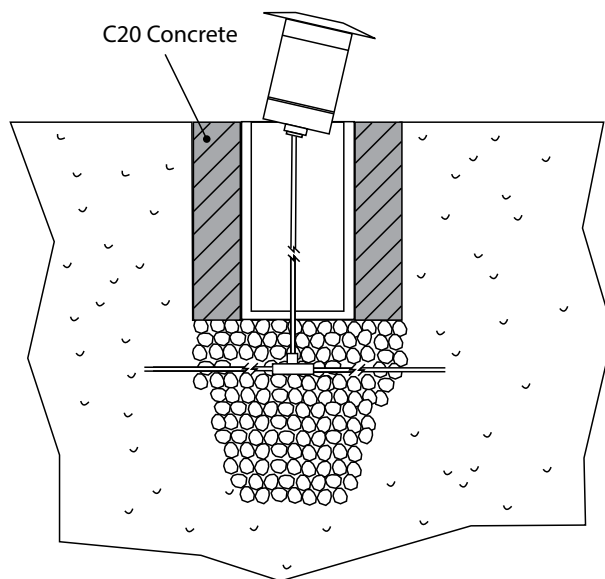


## 1 Preparing Ground Work



- (a). Prepare ground work. Trench minimum 400mm / 15.74 Inches deep.
- (b). Fill lower half with pea gravel for drainage.
- (c). Place In ground sleeve flush with ground.

## 2 Connect Wiring and Secure



- (a). Connect cable to Underground power supply.
- (b). Fill void around the in ground sleeve with C20 concrete.
- (c). Slide the MaxiLED In Ground fitting into the sleeve.
- (d). Align the two security fastenings and secure to the in ground sleeve.

