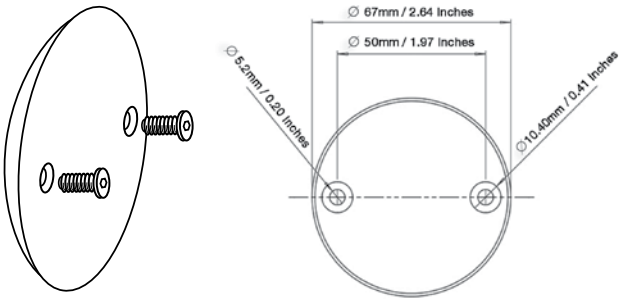




This product must be installed by a qualified electrician in accordance with all national and local electrical and construction codes. Failure to comply with the installation instructions can result in serious injury or death.



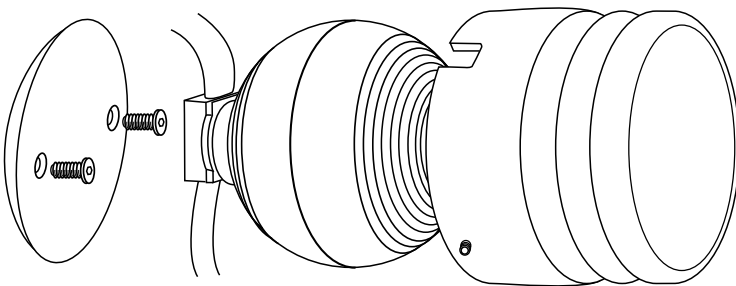
### 1 Fitting the mounting plate



- Start installation at the end of the strand where the power will input.
- Measure and Mark out Facade fittings location.
- Mount the Facade fixing plate to the required location using the suitable fixings.

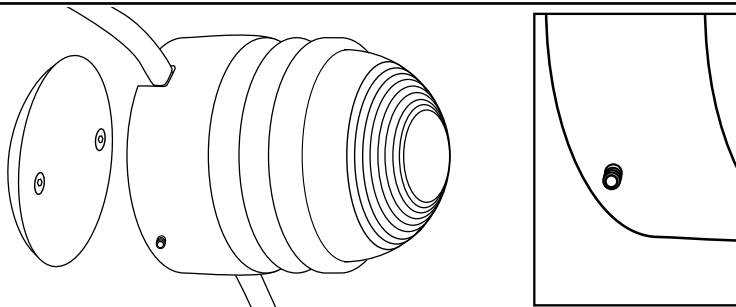
**NOTE:** Care must be taken when locating the mounting plate so that it corresponds with the pre-made cable harness.

### 2 Align MaxiLED Facade housing to Globe cable



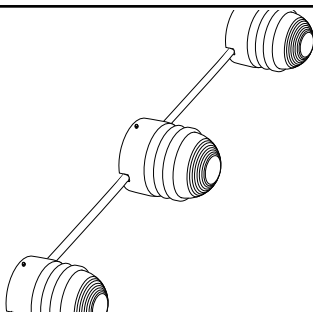
- Place the required Globe into the Front Facade housing from the rear and align the cable into the two slots either side.

### 3 Secure globe and housing to the fixing plate



- With the Globe pushed into the Facade housing, push the unit up against the secured fixing plate.
- Using the supplied 2mm / 0.08 inch hex wrench tighten the two grub screws on either side of the housing.
- Ensure the housing is fitted flush against the surface.

### 4 Repeat Procedure



- Repeat process 1-3 until the installation is complete.
- Connect the installation to the correct power supply.  
**(SEE INSTALLATION INSTRUCTIONS FOR POWER SUPPLY OPTIONS.)**