

4

3

2

1

F

F

E

E

D

D

C

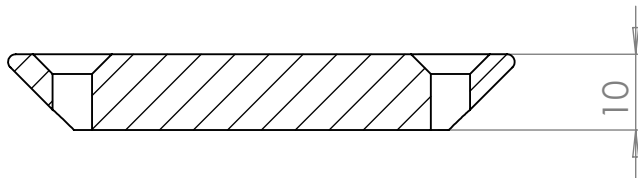
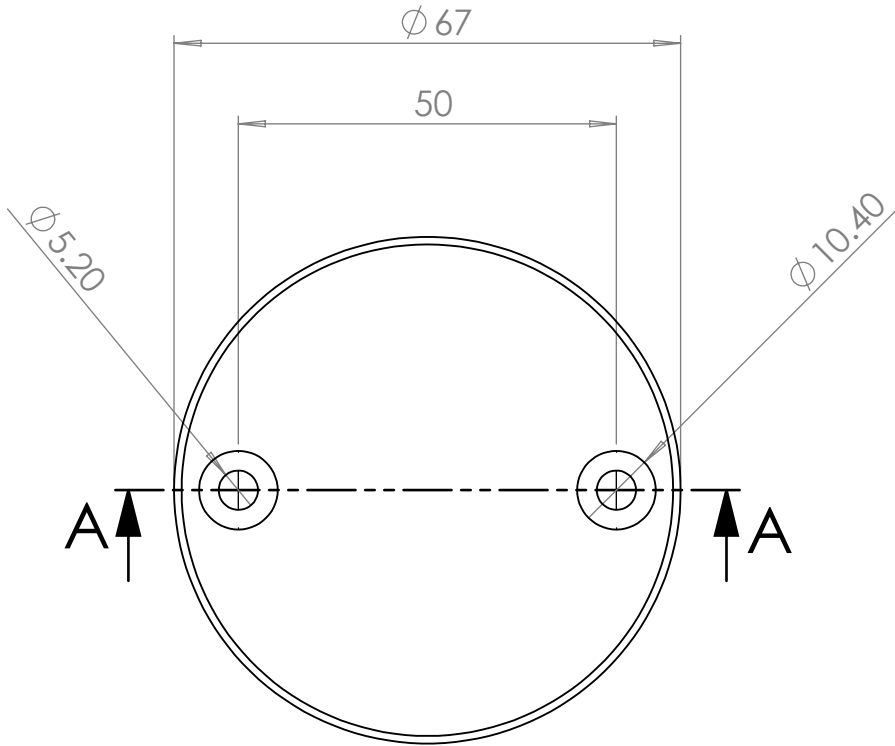
C

B

B

A

A



SECTION A-A

SCALE 1 : 1

UNLESS OTHERWISE SPECIFIED:
 DIMENSIONS ARE IN MILLIMETERS
 SURFACE FINISH:
 TOLERANCES:
 LINEAR:
 ANGULAR:

FINISH:

DEBURR AND
BREAK SHARP
EDGES

DO NOT SCALE DRAWING

REVISION

	NAME	SIGNATURE	DATE		
DRAWN					
CHK'D					
APPV'D					
MFG					
Q.A					

TITLE: **FACADE WALL PLATE**

DWG NO. _____

MATERIAL: _____

SCALE: 1:2

SHEET 1 OF 1

A4

4

3

2

1