

PROJECT

---

FIXTURE TYPE

---

LOCATION

---

CONTACT

---

PHONE

---

### Product Description

The MaxiLED Marker Effects Series provides durable in-grade fixtures for accent lighting or step and pathway illumination. Connect up to 100 fixtures on a single run and control lighting effects with DMX-512. Clear lens and choice of three optics directs smooth lighting effects on monuments, landscaping, trees, walls, and other surfaces and objects in your project environment using dependable CREE LEDs.

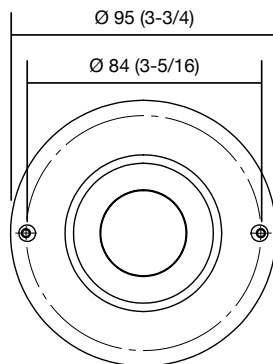


### Product Specifications

- **Power Input:** 110-240VAC (50/60 Hz)
- **Power Output:** 48VAC with combined data over line voltage.
- **Light Output:** 100 lumens per fixture with matte lens and full RGBW on.
- **Watts:** 2.35W per fixture at full RGBW on.
- **Cable/Run Lengths:** 100 fixtures per run. 100 m (328 ft) maximum run length.
- **Environment:** Dry, damp, and wet locations (IP68).
- **Fixture Dimensions:** 100 mm (3-15/16 ins) tall. 95 mm (3-3/4 ins) diameter at top trim ring.
- **Installation Sleeve Dimensions:** 235 mm (9-1/4 ins) tall. 94 mm (3-11/16 ins) diameter.
- **Fixture Finishes:** Anodized silver or black and stainless steel.
- **Connectors:** Water-tight (IP68) and self-locking.
- **Light Source:** Multi-chip LED with red, green, blue, and white dies.
- **Cable:** 16 AWG. Weather resistant insulated rubber sheath with two core copper conductors.
- **Lumen Maintenance:** Estimated 85% lumen maintenance at 70,000 hours, L70 predicted life of 132,000 hours.
- **Installation Sleeve:** One-piece black PVC sleeve supports fixture in inground applications.
- **Lens:** UV stabilized tempered clear glass.
- **Distributions:** 15°, 25°, 40°, and 170° (no lens).
- **Operating Temperature:** -25° to 50°C (-13° to 122°F)
- **Weight:** Fixture is 940g (2 lbs). Installation sleeve is 830g (1 lb, 13 oz).
- **Listings:** UL/cUL (pending), CE
- **IK Rating:** IK10

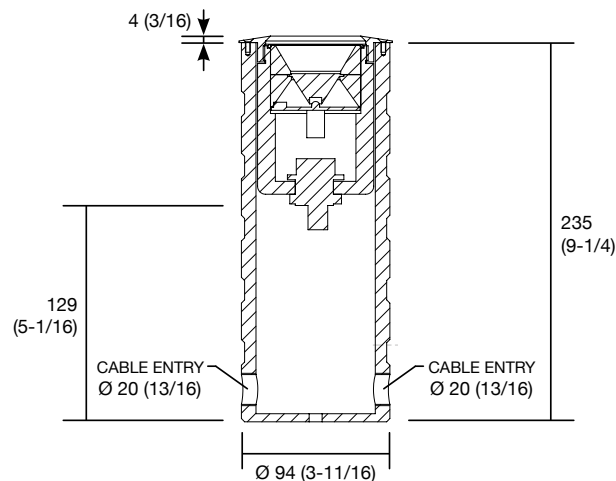
### Dimensions

TOP VIEW (TRIM RING)





### MM (INS)


FIXTURE IN INSTALLATION SLEEVE




### Distributions

- 

**15° Distribution**  
Narrow Spot for columns, monuments, small trees, etc.
- 

**25° Distribution**  
Narrow Flood for monuments, paths, landscaping, etc.
- 

**40° Distribution**  
Flood for large trees, landscaping, walls, trellises, etc.
- 

**170° Distribution**  
Wide Flood for wash of large landscaping, walls, trellises, etc.

## Ordering

EXAMPLES: ME-RGBW-YH-CL40-YS-M-100, ME-RGBW-NH-CL15-NS-I-36

PRODUCT CODE	LED COLOR	TRIM RING	LENS AND OPTICS	INSTALLATION SLEEVE	UNITS	LEAD
<b>ME</b>	<b>RGBWO</b>					
<b>ME</b> Marker Effects Series	<b>RGBWO</b> Each fixture includes a RGBW (red, green, blue, and white) LED and uses four DMX-512 channels	<b>YH</b> Holes for securing fixture to installation sleeve, decking, or wood flooring <b>NH</b> No holes for grouting around fixture	<b>CL15</b> Clear lens, 15° beam <b>CL25</b> Clear lens, 25° beam <b>CL40</b> Clear lens, 40° beam <b>NL170</b> No lens, 170° beam	<b>YS</b> Include installation sleeve <b>NS</b> No installation sleeve	<b>I</b> Imperial <b>M</b> Metric	<b>CMS OR INS</b> Length of cable lead from fixture. 100 cm (39-3/8 in) standard

## Installation

### Parts



Marker Effects fixture



Installation sleeve

### Warning

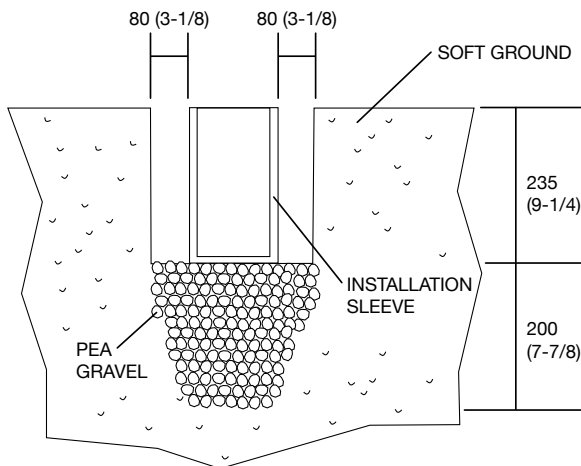


This product must be installed by a qualified electrician in accordance with all national and local electrical and construction codes. Failure to comply with the installation instructions can result in injury or death.

### Instructions

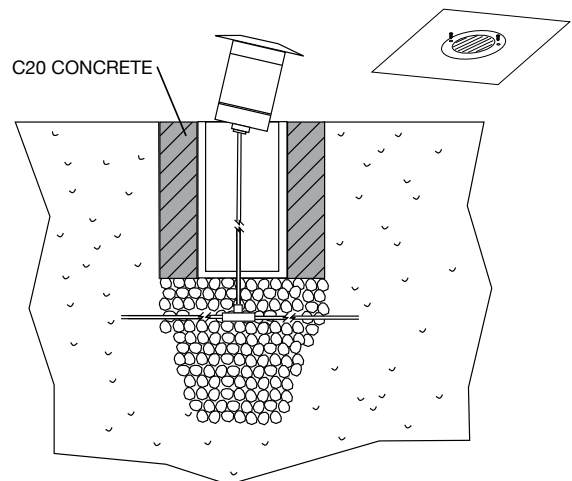
**MM (INS)**

#### 1. Prepare ground work



Prepare ground with a trench minimum 400 mm (15-3/4 in) deep. Fill lower half with pea gravel for drainage. Place installation sleeve flush with ground level.

#### 2. Connect wiring and secure fixture to ground



Connect cable to underground power supply. Fill void around the in ground sleeve with C20 concrete. Slide the fixture into the installation sleeve. Align the two security fastenings and secure to the installation sleeve (**YS** option).