

PROJECT

FIXTURE TYPE

LOCATION

CONTACT

PHONE

Product Description

The MaxiLED Focal Facade Series provides durable low profile point-of-light fixtures that can be arranged in virtually any linear or matrix configuration. With up to 150 fixtures per run, Focal Facade installations deliver high impact lighting effects to structures, buildings, and bridges.



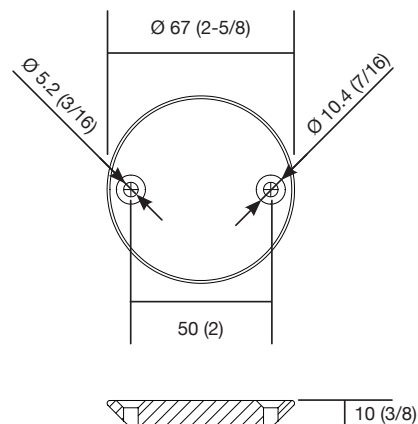
Product Specifications

- **Power Input:** 110-240VAC (50/60 Hz)
- **Power Output:** 24VDC.
- **Light Output:** Contact factory or see maxiledlighting.com.
- **Watts:** .6W per Globe.
- **Cable/Run Length:** 150 Globes per strand. 152.4 m/15,240 cm (500 ft/6,000 ins) maximum strand length including starter cable.
- **LED Colors:** 2400K, 2700K, 3500K, 5000K and 10000K. red, green, blue, and amber. More than one color can be used on a single strand.
- **Connectors:** Water-tight (IP 68) and self-locking.
- **Lumen Maintenance:** Estimated 85% lumen maintenance at 30,000 hours, L70 predicted life of 55,000 hours.
- **Environment:** Dry, damp, and wet locations (IP 68). Not for use as a submersible light. Proper drainage required.
- **Cable:** 16 AWG. Weather resistant insulated rubber sheath with two core copper conductors. White or black.
- **Mounting:** Two-piece aluminum or stainless steel housing secures Globe and cable to surface at consistent 180° viewing angle.
- **Globe Lenses:** UV stabilized clear polycarbonate. Internally prismatic for maximum optical light output. Globe halves are hermetically sealed.
- **Operating Temperature:** -25° to 50°C (-13° to 122°F)
- **Weight:** Cable is 74g (2.6 oz) per meter. Globe and LED are 44g (1.6 oz) per assembly. Aluminum housings are 226g (8 oz) each. Stainless steel housings are 680g (24 oz) each.
- **Listings:** UL/cUL (pending), CE, FCC, IK07 impact protection, BS EN 60598, IEC 60598

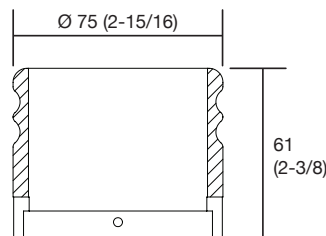
Dimensions

MM (INS)

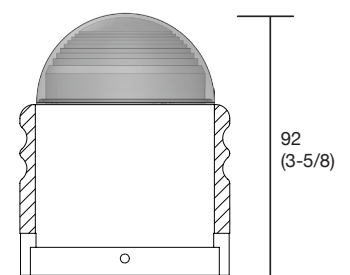
WALL PLATE



HOUSING




GLOBE IN HOUSING



SEE INSTALLATION INSTRUCTIONS

Ordering

EXAMPLES: FF-CW-AS-CL-BC-I-1000-9000-100-90, FF-CW-AB-ML-WC-M-180-3000-100-30

PRODUCT CODE	LED COLOR	HOUSING	LENS	CABLE COLOR
FF				
FF Focal Facade Series	Tem 2700K - Tem 10000K CW Cool white WW Warm white R Red G Green B Blue A Amber PAT Pattern. Enter PAT and complete the following: <div style="text-align: center;">  EXAMPLE: 2 red (R), 2 white (W), two blue (B), repeat (<) (R R W W B B <) </div>	AS Anodized silver AB Anodized black SS Stainless steel RAL Painted to RAL specification. EXAMPLE: RAL-7032	CL Clear lens ML Matte lens	BC Black cable WC White cable
MEASUREMENT UNITS	LENGTH OF STARTER CABLE	LENGTH OF GLOBE CABLE	NUMBER OF GLOBES	GLOBE SPACING
M Metric units (cm)	CMS OR INS	CMS OR INS	1 TO 150	CMS OR INS
I Imperial units (in)	Starter Cable + Globe Cable <= 15,240 cm (6,000 ins)			Assumes Globes are spaced at the same distance on the strand. For inconsistently spaced Globes on a strand, contact factory.

Ordering Definitions and Assistance



LENGTH OF GLOBE CABLE

If you know the **NUMBER OF GLOBES** and the **GLOBE SPACING** for a strand, you can verify your **LENGTH OF GLOBE CABLE**.

- A) **NUMBER OF GLOBES** (MAX 150).....
- B) **GLOBE SPACING** (CMS OR INS).....
- C) Divide answer A by answer B.....

NUMBER OF GLOBES

If you know the **LENGTH OF GLOBE CABLE** and the **GLOBE SPACING**, you can verify your **NUMBER OF GLOBES**.

- A) **LENGTH OF GLOBE CABLE** (CMS OR INS)
- B) **GLOBE SPACING** (CMS OR INS).....
- C) Divide answer A by answer B.....

GLOBE SPACING

If you know the **LENGTH OF GLOBE CABLE** and the **NUMBER OF GLOBES** for a strand, you can verify your **GLOBE SPACING**.

- A) **LENGTH OF GLOBE CABLE** (CMS OR INS)
- B) **NUMBER OF GLOBES** (MAX 150).....
- C) Divide answer A by answer B.....

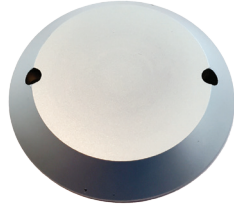
Installation ¹

MM (INS)

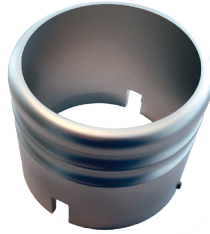
Parts



Mounting plate (front)



Mounting plate (wall side)



Housing



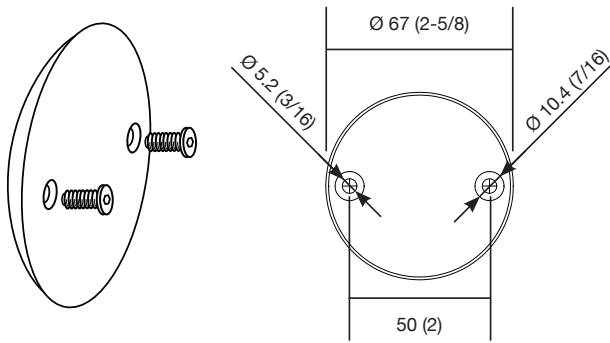
Hex wrench



Final installation example

Instructions

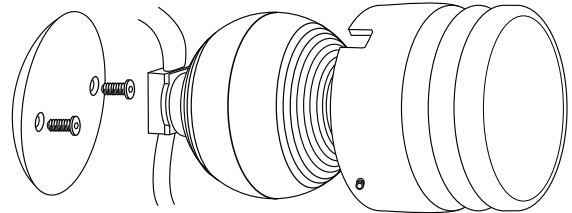
1. Install the mounting plate



Start installation at the end of the strand where the power will input. Measure and Mark out Facade fittings location. Mount the Facade fixing plate to the required location using suitable screws.

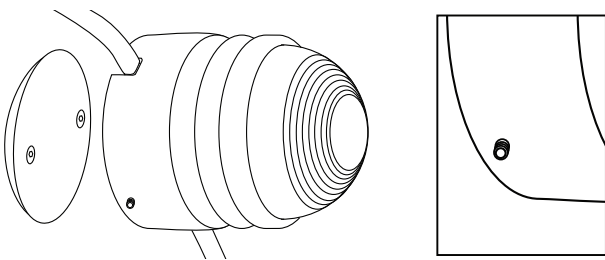
NOTE: Care must be taken when locating the mounting plate so that it corresponds with the pre-made cable harness.

2. Align facade housing to Globe cable



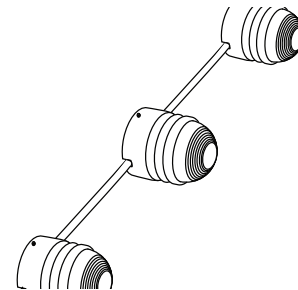
Place the required Globe into the Front Facade housing from the rear and align the cable into the two slots either side.

3. Secure Globe and housing to the mounting plate



Place the Globe into the facade housing. Push the unit up against the secured mounting plate. Using the supplied 2 mm (1/16 in) hex wrench tighten the two grub screws on either side of the housing. Ensure the housing is fitted flush against the surface.

4. Repeat procedure



Repeat process 1-3 until the installation is complete. Connect the strand to the correct power supply following installation instructions.

! This product must be installed by a qualified electrician in accordance with all national and local electrical and construction codes. Failure to comply with the installation instructions can result in injury or death.