

PROJECT

FIXTURE TYPE

LOCATION

CONTACT

PHONE

Product Description

The MaxiLED Focal Facade Series provides durable low profile point-of-light fixtures that can be arranged in virtually any linear or matrix configuration. With up to 130 fixtures per run, Focal Facade installations with random RGB effects attract attention and deliver high impact lighting effects to buildings and other structures.

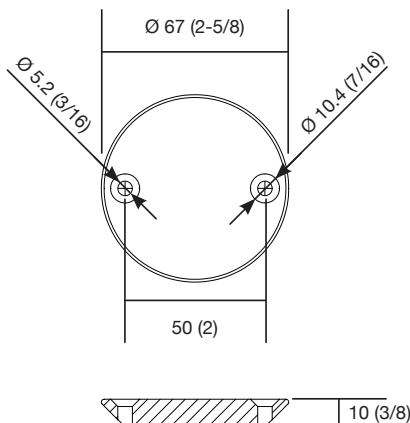


Product Specifications

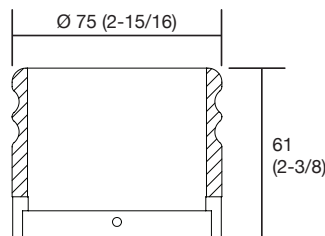
- **Power Input:** 110-240VAC (50/60 Hz).
- **Power Output:** 12VDC.
- **Light Output:** Contact factory or see maxiledlighting.com.
- **Watts:** .6W per Globe.
- **Cable/Run Length:** 130 Globes per strand. 154 m (505 ft) maximum strand length including starter cable.
- **Connectors:** Water-tight (IP 68) and self-locking.
- **Cable:** 16 AWG. Weather resistant insulated rubber sheath with two core copper conductors. White or black.
- **Light Source:** Multi-chip LED with red, green, and blue dies.
- **Lumen Maintenance:** Estimated 85% lumen maintenance at 30,000 hours, L70 predicted life of 55,000 hours.
- **Environment:** Dry, damp, and wet locations (IP 68). Not for use as a submersible light. Proper drainage required.
- **Mounting:** Two-piece aluminum or stainless steel housing secures Globe and cable to surface at consistent 180° viewing angle.
- **Globe Lenses:** UV stabilized polycarbonate. Internally prismatic for maximum optical light output. Globe halves are hermetically sealed.
- **Operating Temperature:** -25° to 50°C (-13° to 122°F)
- **Weight:** Cable is 74g (2.6 oz) per meter. Globe and LED are 58g (2 oz) per assembly. Aluminum housings are 226g (8 oz) each. Stainless steel housings are 680g (24 oz) each.
- **Listings:** UL/cUL (pending), CE, FCC, IK07 impact protection, BS EN 60598, IEC 60598

Dimensions

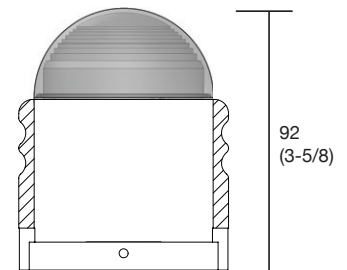
WALL PLATE



HOUSING



GLOBE IN HOUSING



MM (INS)

SEE INSTALLATION INSTRUCTIONS

Ordering

EXAMPLES: FF-RGBR-AS-CL-BC-I-500-9000-100-90, FF-RGBR-AB-ML-WC-M-180-3000-100-30

PRODUCT CODE	LED COLOR	HOUSING	LENS	CABLE COLOR	UNITS	STARTER CABLE	LENGTH OF GLOBE CABLE	NUMBER OF GLOBES	GLOBE SPACING ¹
FF	RGBR								
FF Focal Facade Series	RGBR Each Globe includes a RGB (red, green, blue) LED pre-programmed to random colors	AS Anodized silver AB Anodized black SS Stainless steel RAL Painted to RAL specification EXAMPLE: RAL-7032	CL Clear lens ML Matte lens	BC Black cable WC White cable	I Imperial M Metric	CMS OR INS 100 cm (39-3/8 in) to 500 cm (196-7/8 in)	CMS OR INS	1 TO 130	CMS OR INS
							TOTAL CABLE LENGTH MUST NOT EXCEED 15,400 CMS (6,062 INS)		
							(GLOBES X GLOBE SPACING) + STARTER CABLE <= 15,400 CMS (6,062 INS)		

Ordering Definitions and Assistance



DETERMINE GLOBE SPACING¹

If you know the **LENGTH OF GLOBE CABLE** and the **NUMBER OF GLOBES** for a strand, you can verify your **GLOBE SPACING**.

- A) **LENGTH OF GLOBE CABLE** (CMS OR INS)
- B) **NUMBER OF GLOBES** (MAX 130).....
- C) Divide answer A by answer B.....

DETERMINE NUMBER OF GLOBES

If you know the **LENGTH OF GLOBE CABLE** and the **GLOBE SPACING**, you can verify your **NUMBER OF GLOBES**.

- A) **LENGTH OF GLOBE CABLE** (CMS OR INS)
- B) **GLOBE SPACING** (CMS OR INS).....
- C) Divide answer A by answer B.....

DETERMINE LENGTH OF GLOBE CABLE

If you know the **NUMBER OF GLOBES** and the **GLOBE SPACING** for a strand, you can verify your **LENGTH OF GLOBE CABLE**.

- A) **NUMBER OF GLOBES** (MAX 130).....
- B) **GLOBE SPACING** (CMS OR INS).....
- C) Divide answer A by answer B.....

¹ Specification sheet assumes Globes are spaced at the same distance on the strand. For inconsistently spaced Globes on a strand, contact factory.

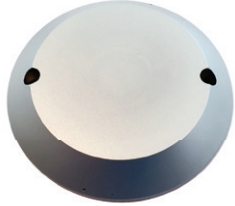
Installation ¹

MM (INS)

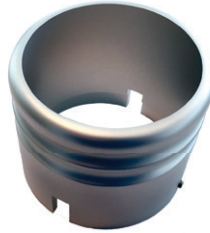
Parts



Mounting plate (front)



Mounting plate (wall side)



Housing



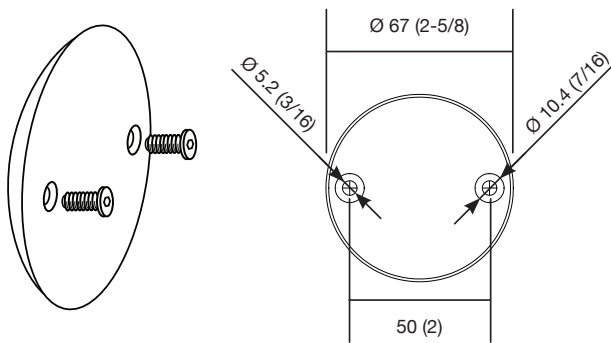
Hex wrench



Final installation example

Instructions

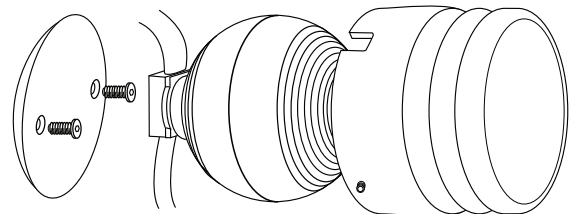
1. Install the mounting plate



Start installation at the end of the strand where the power will input. Measure and Mark out Facade fittings location. Mount the Facade fixing plate to the required location using suitable screws.

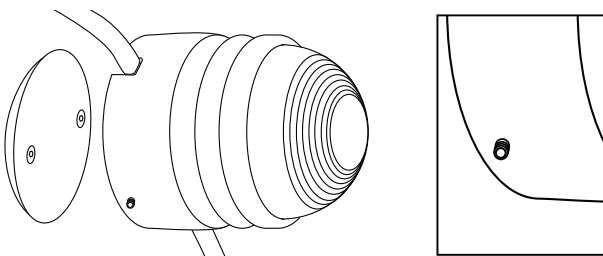
NOTE: Care must be taken when locating the mounting plate so that it corresponds with the pre-made cable harness.

2. Align facade housing to Globe cable



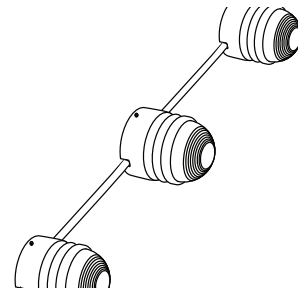
Place the required Globe into the Front Facade housing from the rear and align the cable into the two slots either side.

3. Secure Globe and housing to the mounting plate



Place the Globe into the facade housing. Push the unit up against the secured mounting plate. Using the supplied 2 mm (1/16 in) hex wrench tighten the two grub screws on either side of the housing. Ensure the housing is fitted flush against the surface.

4. Repeat procedure



Repeat process 1-3 until the installation is complete. Connect the strand to the correct power supply following installation instructions.

⚠ This product must be installed by a qualified electrician in accordance with all national and local electrical and construction codes. Failure to comply with the installation instructions can result in injury or death.