



## **MaxiPunch Static Series**

## KEY FEATURES

- 2700k - 5000k Colour Range
- Excellent CRI (See Below)
- 3 Step Macadam Elipse Colour Control
- 3D Rotational Adjustment
- Thermally Protected
- IP68
- Elegant Unit Design



## Product Overview

The static MaxiPunch static is elegant and in-keeping when installed on most building facades, It's sleek design and integrated mounting bracket giving full 3D rotational adjustment make it unique and a must for most applications. The choice of LED colours, Beam angles and housing finishes allow designers worldwide to select their preferred combination.

## Specifications

### Electrical

Input Voltage:	220v - 240VAC
Frequency:	50/60 Hz
Amps:	0.9A
Power Factor:	0.80C
Power Consumption:	12W

### Protection

Overload / Auto Recovery:	Yes
Thermal Shutdown:	Yes
Protection Rating:	IP68
Operating Temperature:	-20°C to +50°C (-4°F to +122°F)
Toughened Glass Lens:	Yes

### LED Options

LED Manufacturer:	Cree
LED Colour options & CRI:	2700k (90), 3000k (90), 3500K (90) 4000k (80), 5000k (80).
LED current:	350mA
Lumens:	800 Lumens (4000k 80CRI)
Est. 85% Lumen Maintenance L70	
Predicted life (hours):	57,500 Hours
Photometrics available:	To follow
Binning:	3 step Macadam ellipse (2 step available on request for larger projects)

### Optics

Beam Angles available:	12, 36, 60
------------------------	------------

### Finishes

Black Anodised:	Yes
Silver Anodised:	Yes

### Dimensions & Weights

Diameter (mm):	120mm
Depth (mm):	73mm
Weight (kg):	1.78kg

**Beam Angle Adjustment:** 360 degrees x 92 degrees

**Material:** Aluminium

### Listings:

Safety:	CE
EMC Compliance:	EN55015, EN61457, EN61000-3-2, EN61000-3-3



UK Designed and  
Manufactured

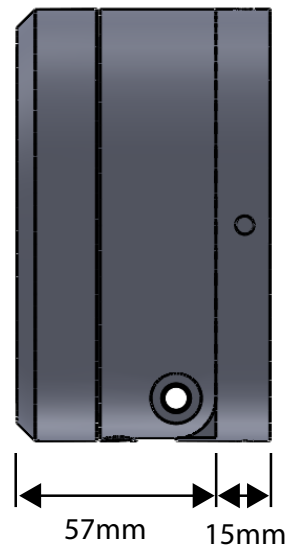
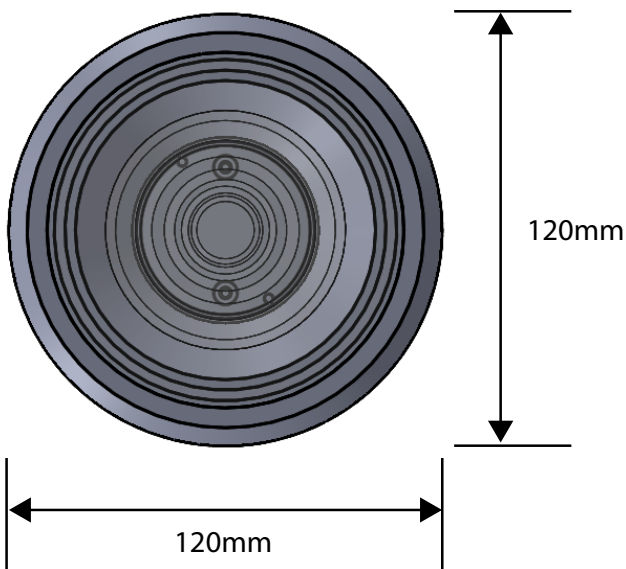
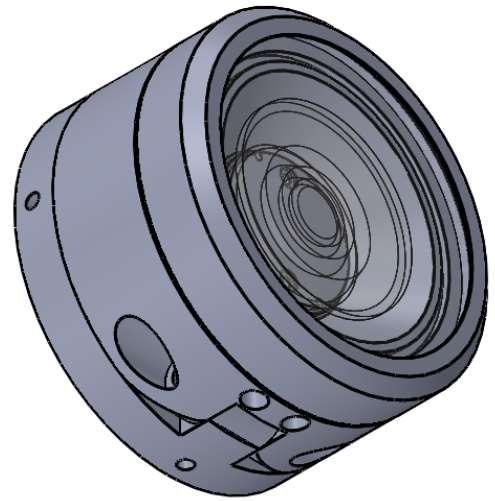
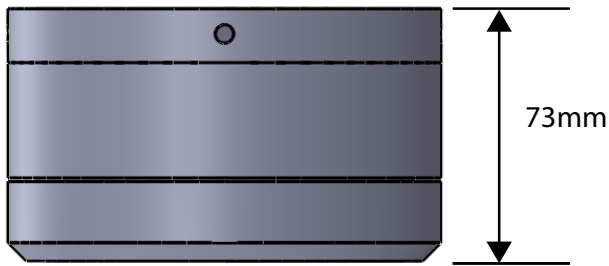
MaxiLED Lighting

Unit 2, Farrington Place, Rossendale Road Ind. Est. Burnley, Lancashire. UK. BB11 5TY

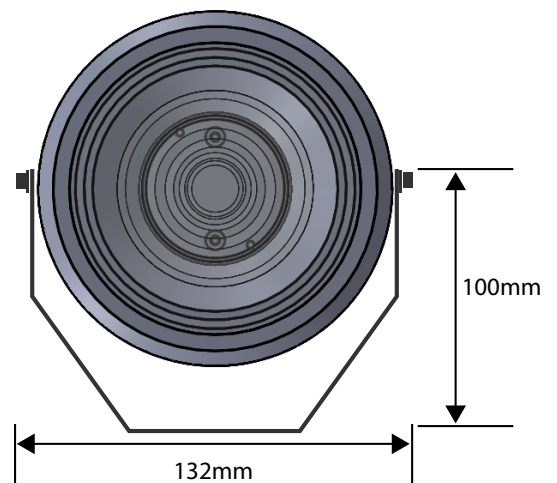
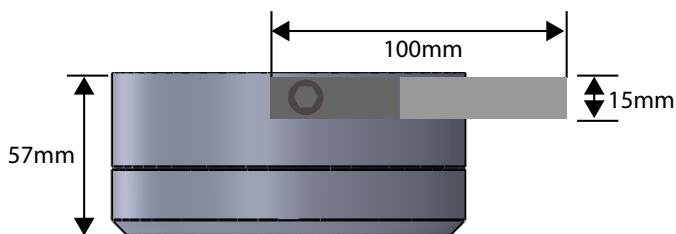
T: +44 (0)845 8732 601 F: +44 (0)845 8732 602

E: [sales@maxiledlighting.com](mailto:sales@maxiledlighting.com) Web: [www.maxiledlighting.com](http://www.maxiledlighting.com)

**Integral Mount Option**



**Yoke Mount Option**

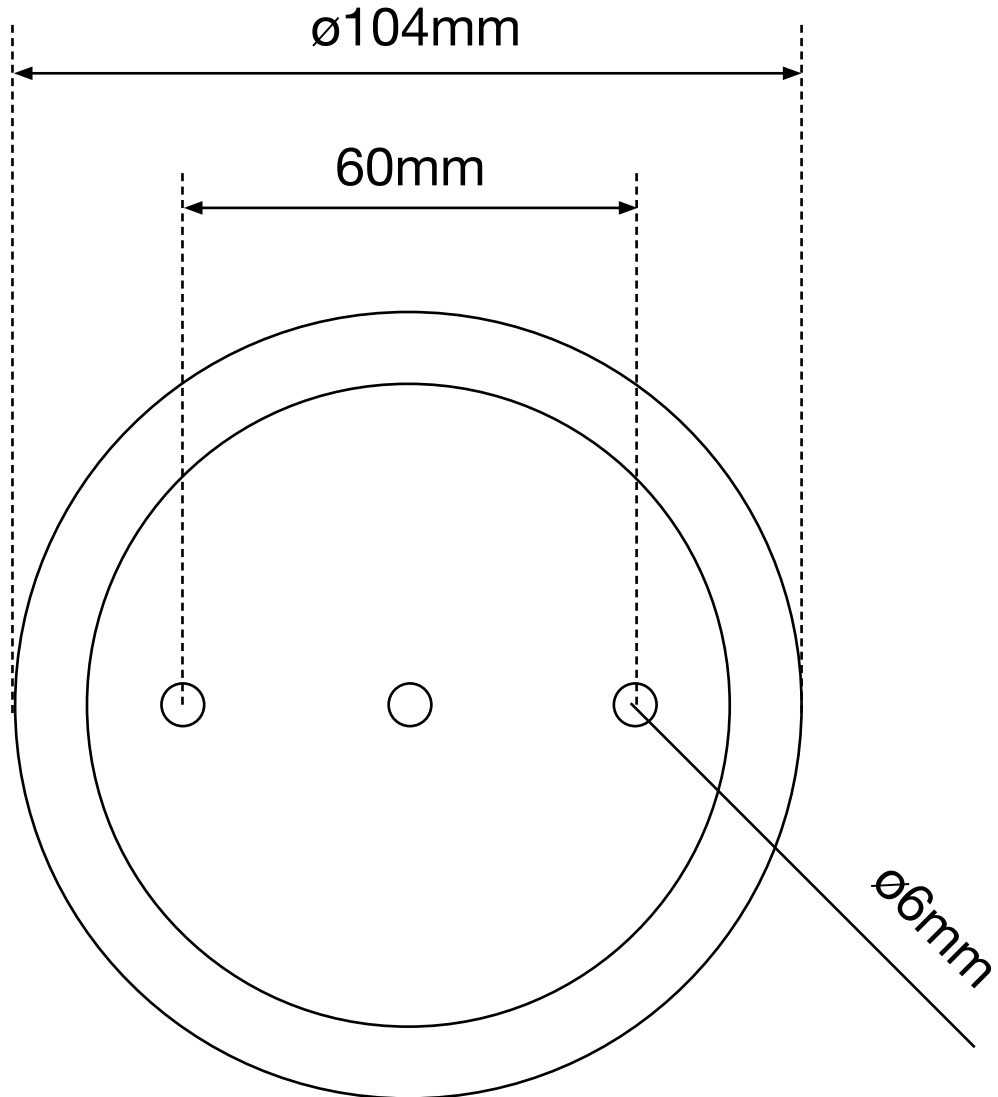




This product must be installed by a qualified electrician in accordance with all national and local electrical and construction codes.  
Failure to comply with the installation instructions can result in serious injury or death.



**1** Base Fixing template



Scale 1:1 @ A4