

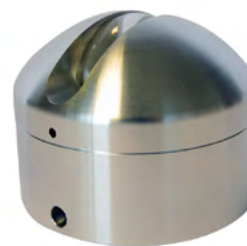
# MaxiEDGE Series

## DMX controllable - Datasheet



### KEY FEATURES

- IP66
- 48VAC Data over Power 2 wire system
- DMX Controllable
- Recessed or surface mount options
- Easy installation

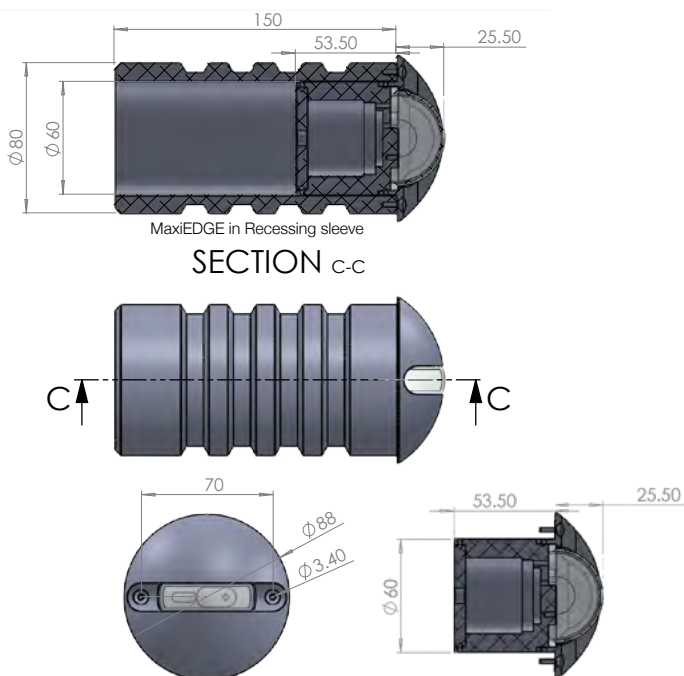


MaxiEDGE surface mount

### Product Overview

Our IP66 MaxiEDGE DMX controllable fitting is perfect for window edge and corridor lighting. With a 170 degree viewing the MaxiEDGE casts a sharp, precise beam of light around the surface area of window/door reveals or corridors.

Manufactured from quality materials and incorporating our Patented 2 wire data over power technology giving full DMX control down the 2 power wires makes it the simplest to install and most cost effective product of its type in the market place today.



### Specifications

MaxiEDGE

#### Dimming

DMX Dimmable  
(Data Over power): **YES**

#### LED Options

(Cree XQE Led's)  
Static colours: **2700K, 3500K and 6500K  
Amber, Blue, Green, Pink, Red.**

#### Beam Angles

170° x 5° **YES**

#### Electrical specification

Power input: **48VAC Data Over Power MaxiLINK system**  
LED Current: **200ma**  
Watts per unit: **4.8w**  
Max. Units per system  
16 AWG (1.5mm sq) cable: **50**  
Max distance from 1st to last unit 16 AWG(1.5mm sq) cable: **100m**  
Lumens Static colours  
Clear Glass (Full On): **150 Est.**  
Lumens Static white (Full On): **250 Est.**  
Lumen Maintenance 85%: **90,000Hrs**

#### System Cable Distances

Max. 16 AWG (1.5mm sq) cable from MaxiLINK to 1st fitting: **15m**  
Max. 14 AWG (2.5mm sq) cable from MaxiLINK to 1st fitting: **75m**

#### Protection

IP Rating: **IP66**  
Thermal Protection cut out at 70°C: **YES**  
Operation Temperature: **-25 to +50**

#### Finishes

Black Anodised: **YES**  
Silver Anodised: **YES**  
RAL Powder Coat: **YES**

#### Listings:

**CE**

#### Dimensions & Weights

Diameter (mm): **88**  
Depth (mm): **67**  
Weight KG: **0.45KG**



UK Designed and  
Manufactured

MaxiLED Lighting

Unit 2, Farrington Place, Rossendale Road Ind. Est. Burnley, Lancashire. UK. BB11 5TY

T: +44 (0)845 8732 601

E: sales@maxiledlighting.com Web: www.maxiledlighting.com